

GS Ceiling wedge anchor

Ceiling wire hanger for lightweight ceilings and suspended ceilings to solid building materials



Approvals and Reports

- ETA 11/0268



Product information

Features and benefits

- During installation, when the nail is flush with the head, it signifies the complete expansion of the anchor
- Steel body and pin ensure positive expansion and high safety in use
- Approved for installation in cracked and non-cracked concrete.
- Fire resistance class A1
- Reliable setting thanks to the simple visual check
- Impact expansion by hammer, no setting tool is needed

Applications

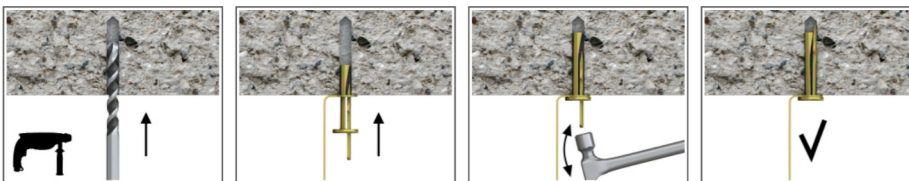
- Installation of lightweight ceilings and suspended ceilings
- Installation of coffered ceilings
- Installation of conduit and pipe clamps and other MEP applications
- Ventilation systems
- Metal roof profiles
- Punched straps

Base materials

Approved for use in:

- Cracked concrete C20/25-C50/60
- Non-cracked concrete C20/25-C50/60

Installation guide

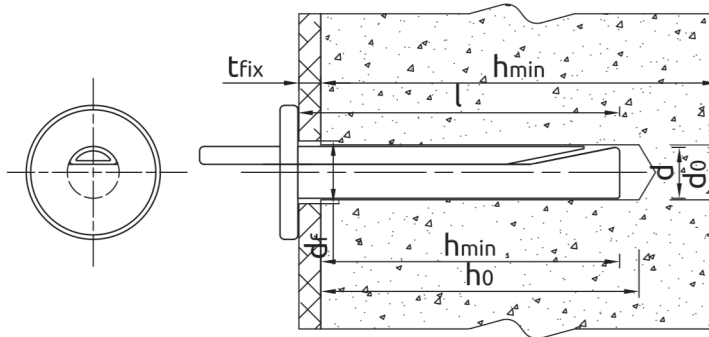


1. Drill a hole of required diameter and depth
2. Insert anchor through fixture into hole until fixing depth is reached.
3. Hammer-in the nail until flush with head.
4. Do not hit the expansion wedge at the stage.

Product information

Size	Product Code	Anchor		Fixture	
		Diameter	Length	Max. thickness	Hole diameter
		d	L	t _{fix}	d _f
[mm]					
Ø6	R-GS-06040	5.8	36	4.5	7
	R-GS-06065	5.8	65	35	7

Installation data



Size	Ø6		
Hole diameter in substrate	d ₀	[mm]	6
Min. hole depth in substrate	h ₀	[mm]	40
Min. installation depth	h _{nom}	[mm]	32
Min. substrate thickness	h _{min}	[mm]	100
Min. spacing	s _{min}	[mm]	200
Min. edge distance	c _{min}	[mm]	150
Fixing diameter	d	[mm]	5.8

Basic performance data

Performance data for single fixing without influence of edge distance and spacing

Substrate		Cracked concrete	Non-cracked concrete
MEAN ULTIMATE LOAD F_{tu,m}			
Ø6, Effective embedment depth 32 mm	[kN]	4.27	4.27
CHARACTERISTIC LOAD F_{Rk}			
Ø6, Effective embedment depth 32 mm	[kN]	3.00	3.00
DESIGN LOAD F_{Rd}			
Ø6, Effective embedment depth 32 mm	[kN]	2.00	2.00
RECOMMENDED LOAD F_{rec}			
Ø6, Effective embedment depth 32 mm	[kN]	1.43	1.43

Design performance data

Size

Resistance to tension and shear loads under fire exposure

Size				Ø6
R (for EI) = 30 min				
TENSION LOAD				
STEEL FAILURE				
Characteristic resistance	$N_{Rk,s}$	[kN]	0.66	

Product commercial data

Product Code	Anchor	Quantity [pcs]			Weight [kg]			Bar Codes
	Length [mm]	Box	Outer	Pallet	Box	Outer	Pallet	
R-GS-06040 ¹⁾	36	100	1600	38400	1.13	18.1	463.2	5906675169347
R-GS-06065 ¹⁾	65	100	1600	38400	1.65	26.4	664.4	5906675158105

1) ETA 11/0268